

# StoneMark Sinks & Edges

All sink cutouts have 1/2 inch overhang

## Stainless Steel with Satin Brushed Finish



9" deep

### 115 Large Single Bowl

Interior: 29.5 x 16.125 - 9" deep



9" deep

### 120 Double Equal 50/50

Interior: each 14.6 x 16.125 - 9" deep



7" deep

9" deep

### 121 R Offset Bowl Right 40/60

Interior: small side 13 x 16.5 - 7" deep  
large side 15.75 x 20.75 - 9" deep



9" deep

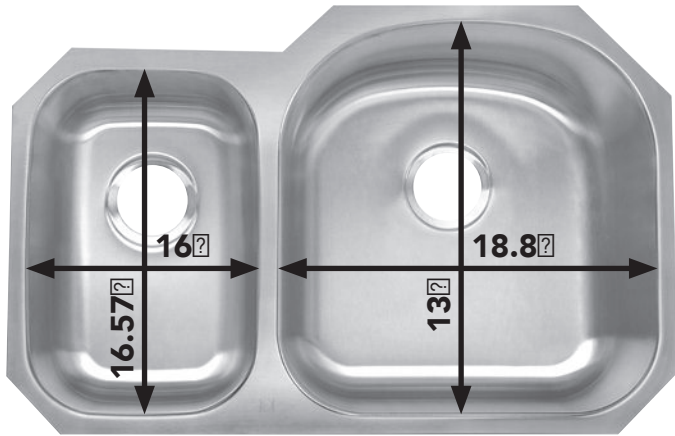
7" deep

### 121 L Offset Bowl Left 60/40

Interior: large side 15.75 x 20.75 - 9" deep  
small side 13 x 16.5 - 7" deep

# StoneMark Sinks & Edges

## Stainless Steel with Satin Brushed Finish

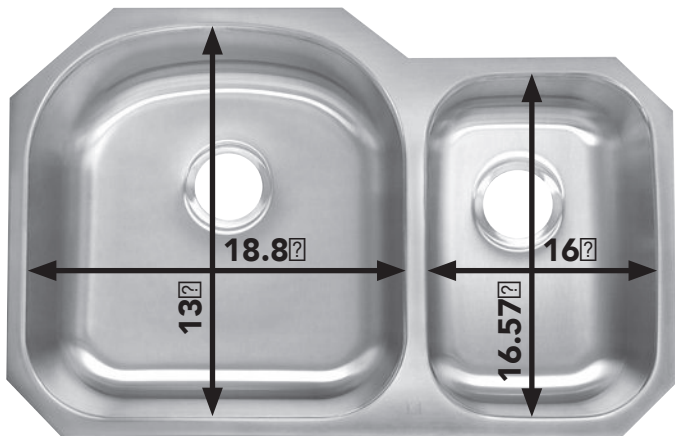


7.5" deep

9" deep

### 131 R Offset Bowl Right 30/70

Interior: small side 16.57 x 16 - 7.5" deep  
large side 13 x 18.8 - 9" deep



9" deep

7.5" deep

### 131 L Offset Bowl Right 70/30

Interior: large side 13 x 18.8 - 9" deep  
small side 16.57 x 16 - 7.5" deep



9" deep

### LOF 100D D Bowl

Interior: 18.875 x 21.4375 - 9" deep

# StoneMark Sinks & Edges

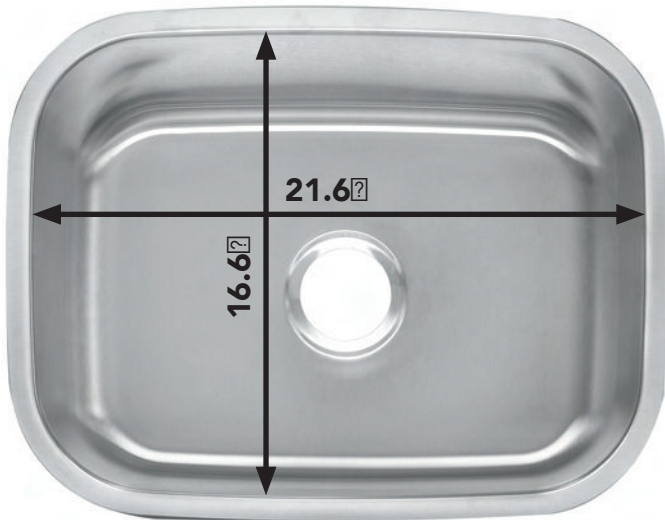
## Stainless Steel with Satin Brushed Finish



7" deep

### 117 Bar/Vegetable Bowl

Interior: 16.6 x 13.6 - 7" deep



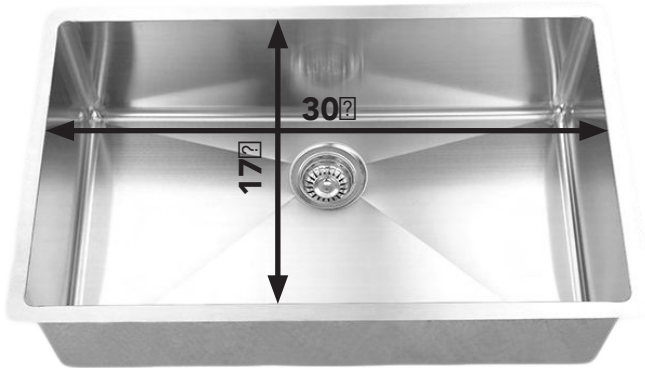
9" deep

### 116 Single Bowl

Interior: 21.6 x 16.6 - 9" deep

# StoneMark Sinks & Edges

## Stainless Steel with Polished Finish



10" deep

### LOF 400 Upgrade Single Bowl Square 16 Gauge

Interior: 30 x 17 - 10" deep



10" deep

### LOF 500 Upgrade Double Equal Bowl Square 16 Gauge

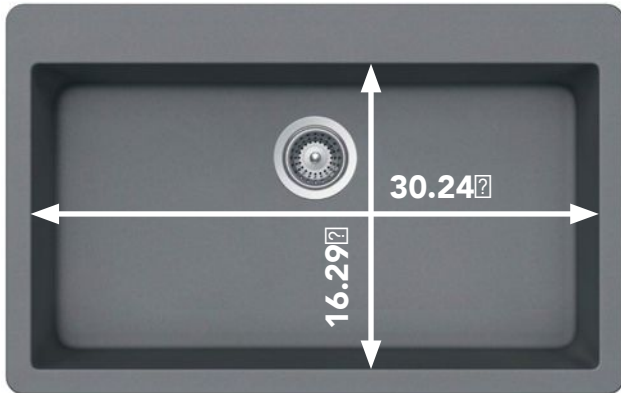
Interior: each 17 x 14.375 - 10" deep

Please Note! - Stainless steel sinks do not include strainers. Customer will need to purchase these separately.

# StoneMark Sinks & Edges

All sink cutouts have 1/2 inch overhang

## Crystallite Series Granite Composite



9.45" deep

### PL-100 Large Single Bowl

Interior: 30.24 x 16.29 - 9.45" deep

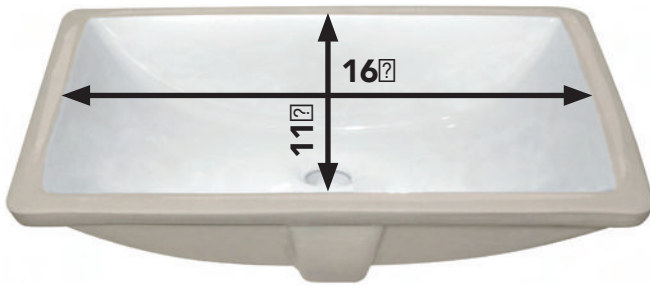
Colors: Chroma, Gun Metal, Sand, Alpina, Beige, Concrete, Mocha, Onyx

Please Note! - Matching strainers can be purchased with these sinks, but you must request these at time of quote.

# StoneMark Sinks & Edges

All sink cutouts have 1/2 inch overhang

## Porcelain



6 1/2 deep

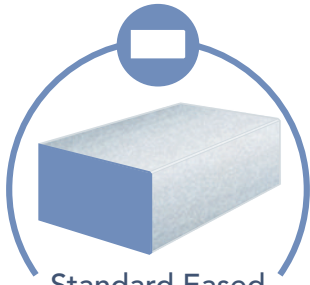
### 412SW Small Rectangle Vanity Bowl

Interior: 16 x 11 - 6 1/2 deep

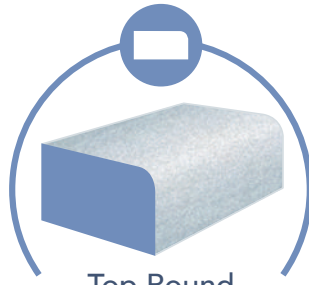
Finish: White ONLY

# StoneMark Sinks & Edges

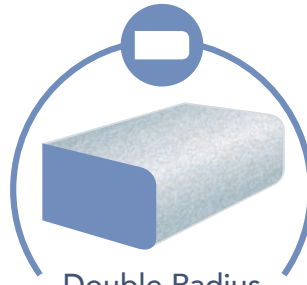
## Standard Edges



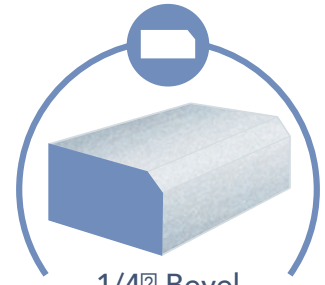
Standard Eased



Top Round



Double Radius



1/4" Bevel

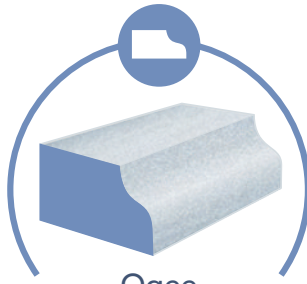
## Specialty Edges



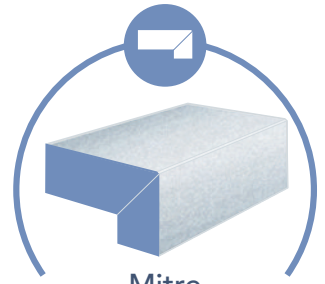
Demi Bullnose



Full Bullnose



Ogee



Mitre